



Mixed DC I/O Module

HE500OCS032 / OCS062

HE500RCS062

12/24 Vdc In, Positive/Negative Logic
24Vdc Out, Negative Logic

Mini OCS/RCS

1 SPECIFICATIONS

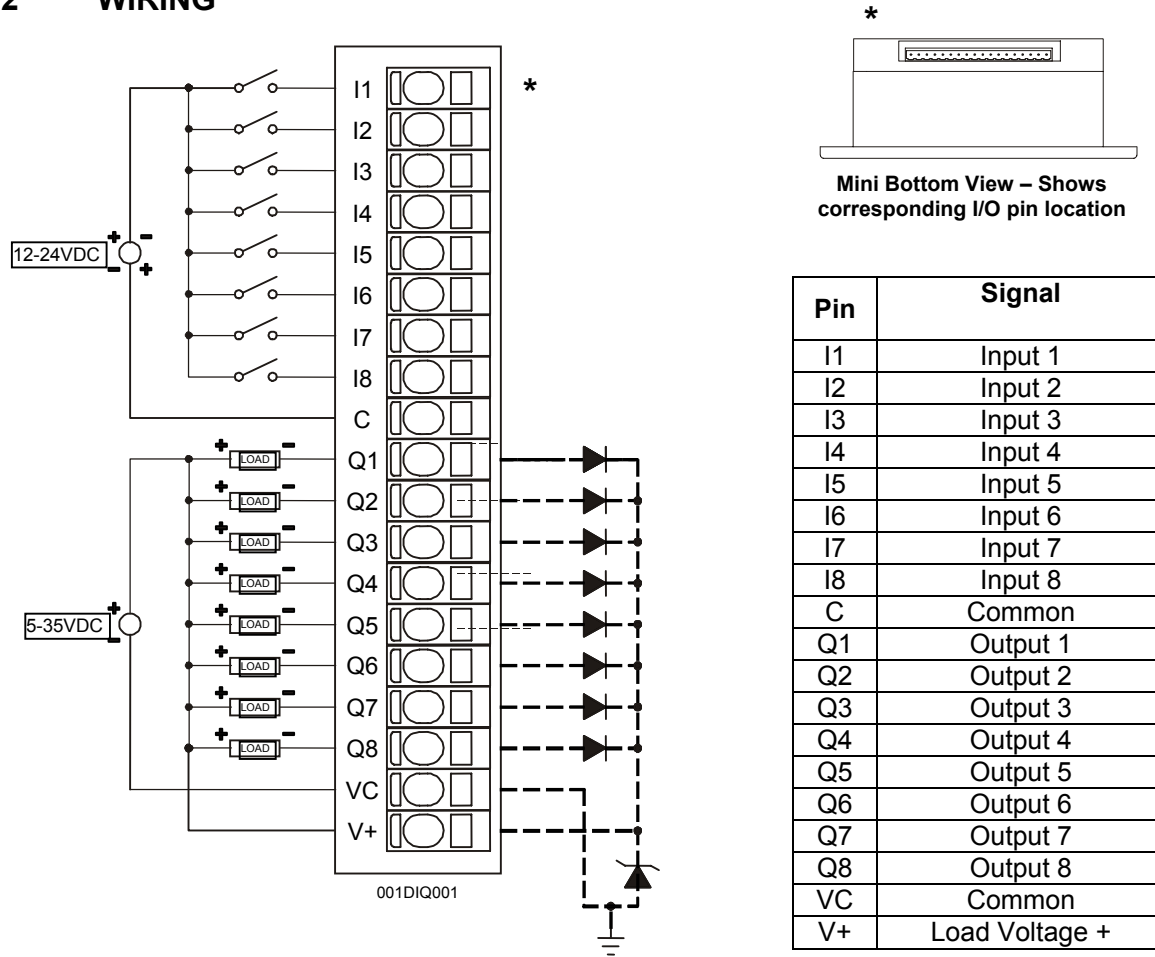
INPUT			
Inputs per Module	8	Input Characteristics	Bidirectional
Commons per Module	1	Input Impedance	10K Ohms
Input Voltage Range	12-24VDC	Minimum ON Current	1mA
Peak Voltage	35VDC Max.	Maximum OFF Current	200µA
Isolation (Channel to Common)	500VDC	OFF to ON Response	1ms.
ON Voltage Level	9VDC	ON to OFF Response	1ms.
OFF Voltage Level	3VDC	Status Indicator	8 LEDs

OUTPUT			
Outputs per Module	8	Output Protection	Short Circuit
Commons per Module	1	Maximum Leakage Current	100µA
Operating Voltage	5 - 35VDC	Maximum Inrush Current	600mA. per channel
Output Type	Sinking / 10K Pull-Up	Minimum Load	None
Peak Voltage	35VDC Max.	OFF to ON Response	1ms.
Output Characteristics	Current Sinking	ON to OFF Response	1ms.
ON Voltage Level	1.5VDC Max.	Status Indicator	8 LEDs
Maximum Load Current per channel	0.5A Max.		

General Specifications			
Required Power (Steady State)	4.8W (200mA @ 24VDC)	Operating Temperature	0° to 50° Celsius
Required Power (Inrush)	900mA max. @ 24VDC for 1ms.	Terminal Type	Spring Clamp, Removable
Relative Humidity	5 to 95% Non-condensing	Weight	9 oz. (256 g)
CE UL	See Compliance Table at http://www.heapg.com/Support/compliance.htm		

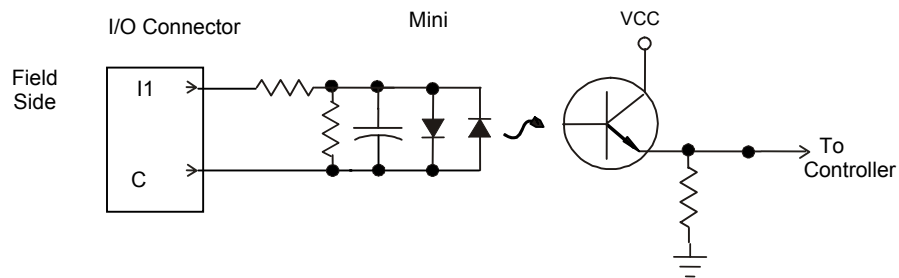
MAN0296-03

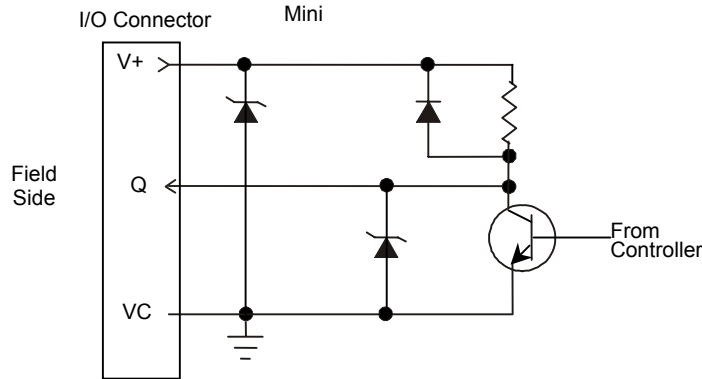
2 WIRING



Warning: Wiring the positive side of the DC source to loads connected to outputs 1 through 8 and the negative side of the DC source to the output common(s) would create a Negative Logic condition, which may be considered an unsafe practice under CE directives.

3 INTERNAL CIRCUIT SCHEMATIC





Specification for transient voltage suppressors (transorbs) used on output circuitry is 36VDC, 300 watts.

4 CONFIGURATION

Note: The status of the I/O can be monitored in Cscape Software.

Selecting the **I/O Map** tab provides information about the I/O registers. The I/O Map is not edited by the user.

The **Module Setup** is used in applications where it is necessary to change the default states of the outputs when the controller (e.g., OCS100) enters idle/stop mode. The default turns the outputs OFF when the controller enters idle/stop mode. By selecting the Module Setup tab, each output can be set to either turn ON, turn OFF or to hold the last state. Generally, most applications use the default settings.

Warning: The default turns the outputs OFF when the controller enters idle/stop mode. To avoid injury of personnel or damages to equipment, exercise extreme caution when changing the default setting using the **Module Setup** tab.

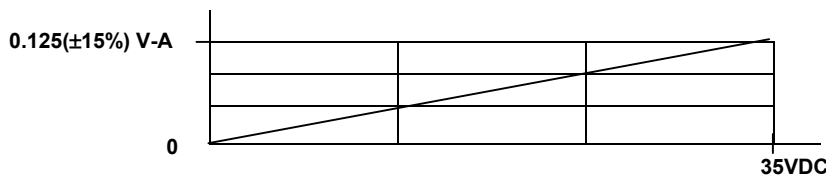
5 INSTALLATION / SAFETY

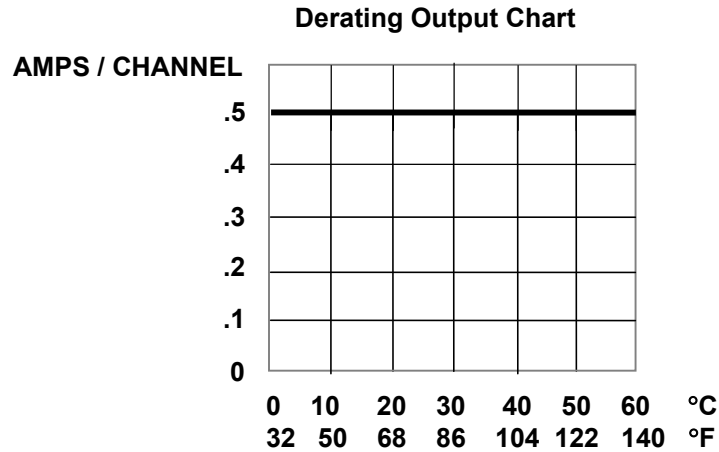
- a. All applicable codes and standards are to be followed in the installation of this product.
- b. Use the following wire type or equivalent: Belden 8917, 16 AWG or larger.

For detailed installation information, refer to Mini Hardware Manual. A handy checklist is provided that covers panel box layout requirements and minimum clearances.

6 INPUT / OUTPUT CHARACTERISTICS

Digital Input Chart





7 TECHNICAL ASSISTANCE

For assistance, contact Technical Support at the following locations.
Please visit our website for manual updates.

North America:
(317) 916-4274
www.heapg.com

Europe:
(+) 353-21-4321-266
www.horner-apg.com